



Model PPUMINI
PowerPort™ Mini Portable Charger & Battery

PLEASE READ THIS INFORMATION THOROUGHLY BEFORE USING THIS PRODUCT. IT CONTAINS IMPORTANT OPERATING INSTRUCTIONS FOR YOUR POWERPORT UNIT.

Owner's Manual

Thank you for purchasing the PowerPort Mini Portable Charger and Battery. Take the compact, lightweight PowerPort with you wherever you go and have a handy charger or rescue battery that works anywhere! PowerPort charges your PDA, cell phone, MP3 player, game system, or any device that can be charged via a USB cable connection.

Included in the package you have purchased:

- PowerPort Mini Charger/Battery
- USB charge cable
- Adapter tips for various mobile devices

Note: Additional tips for many mobile devices are available; log onto poweredbylenmar.com for our full line of PowerPort Universal Charger and Battery products and accessories.

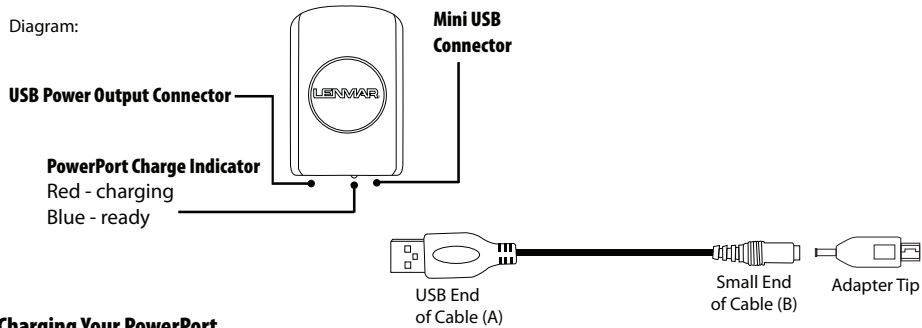
Caution:

- Do not overcharge the PowerPort, as it will shorten its life span. Disconnect the PowerPort as soon as it is practical after the charge is complete.
- PowerPort and cable are for dry use only. Never use near water or allow to get wet.
- Recycle or dispose of PowerPort properly. If disposed of in fire or short-circuited, PowerPort may leak or explode, causing personal injury.
- Do not drop.
- When not in use, unplug the PowerPort from the charge cable and all devices.

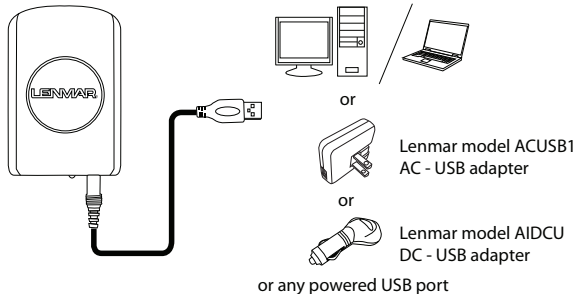
Note:

- PowerPort must be charged prior to first use.
- PowerPort may become warm during charging or use.

Diagram:



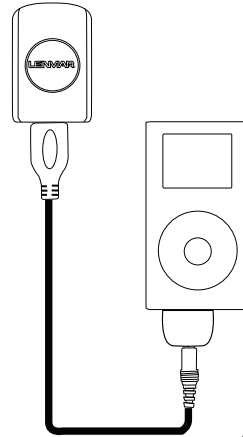
Charging Your PowerPort



1. Attach the Mini USB adapter tip to the small end of the cable (B). Plug tip in to the Mini USB connector on the top of the PowerPort.
2. Plug the USB end of the cable (A) in to any powered USB port, such as a Lenmar model ACUSB1 AC to USB power adapter or Lenmar model AIDCU DC to USB power adapter (included with some PPU2100 models).
3. While charging, the LED Battery Status Indicator will light up red.
4. When the charge has been completed the LED will turn blue.
5. Once the charge indicator shows the charge has completed, disconnect the battery from the USB power source. Your PowerPort is ready to go.

Note: If charging your PowerPort unit from a computer, the computer must be turned on and running.

Charging Your Device Using Your PowerPort



1. Plug the USB end of the cable (A) into the USB power output connector on the top of the PowerPort (see diagram).
2. Choose the appropriate adapter tip for your device and attach it to the small end of the cable (B).
3. Connect the tip to your device.
4. If you are using the PowerPort to recharge your device, be sure to disconnect as soon as possible after your device is recharged to conserve the power in the PowerPort, and to avoid overcharging your device's battery.

Specifications

Capacity:	2.5Wh
Charge Input:	5VDC, 500mA max.
Charge Time:	Approx. 2-3 Hours max.
Output:	5VDC, 600mA max.
Status Indicator:	2-color LED
Protection:	Over-charge, over-discharge, short-circuit
Dimensions:	2.2 x 1.4 x 0.4 in.
Weight:	~1.4 oz.

Limited 2 Year Warranty

This limited warranty starts from the date of original purchase and expires two years thereafter. If, during this period, any part, because of manufacturing defects or workmanship, fails to function properly under normal use it will be repaired at no charge for parts and labor or, at our option, the product will be replaced. The following is excluded: damages from delay or loss of use of equipment or damaged batteries, malfunctions resulting from misuse, tampering, unauthorized repairs, modifications or accident.

Package the unit and its accessories carefully using ample padding material to prevent damage in transit and ship it prepaid and insured to:
 LENMAR ENTERPRISES, INC.
 4035 Via Pescador
 Camarillo, CA 93012 USA

When sending in product for service, your package should include evidence of date and place of purchase. Enclose \$10.00 for shipping and handling for addresses in the U.S. and \$15.00 in Canada. For outside the U.S. and Canada, freight will vary depending upon ship-to address.

Proposition 65 Notice (California)
 The following statement is required in the state of California pursuant to the settlement of an action brought by the Mateel Environmental Justice Foundation against multiple electronics and appliance manufacturers

• WARNING: Handling the cord on this product will expose you to lead, a chemical known to the state of California to cause birth defects or other reproductive harm. Wash hands after handling.

For additional questions, comments or to explore other Lenmar battery solutions, visit our web site at: www.poweredbylenmar.com or call 805/384-9600 from 9AM - 5PM PST.

Lithium-Ion battery must be recycled or disposed of properly.

